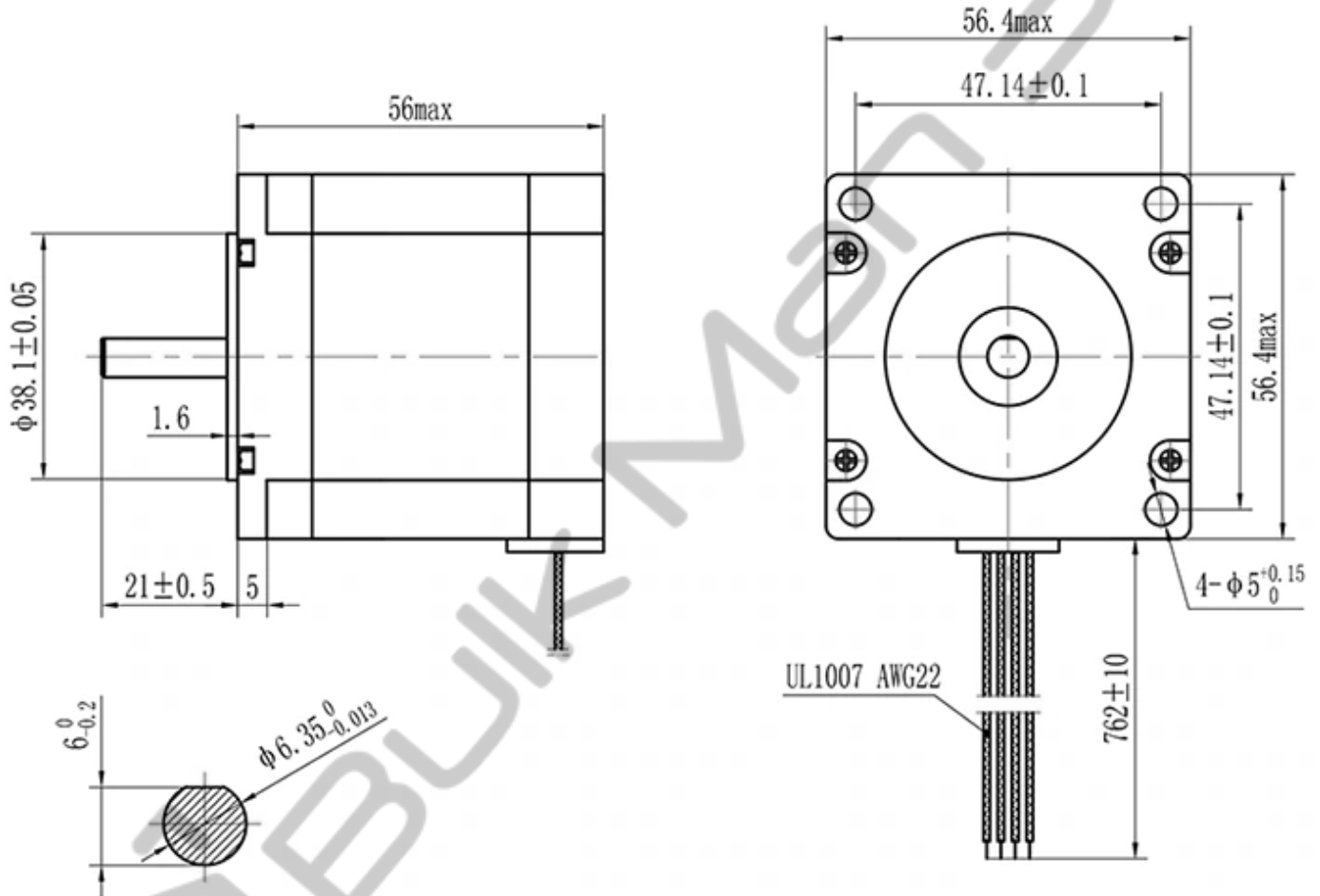


BULK-MAN 3D

23HD56001Y-21B



General specification		Electrical specification		Wiring diagram
Step angle	1.8° ±5%	Rated voltage	3.36V	
Number of phase	2	Rated current	2.8A	
Insulation resistane	100MΩ min. (500V DC)	Resistance per phase	1.2Ω ±10%	
Insulation class	Class B	Inductance per phase	2.3mH ±20%	
Rotor inertia	280g.cm ²	Holding torque	1.26N.m	
Mass	0.72kg	Detent torque	45mN.m	